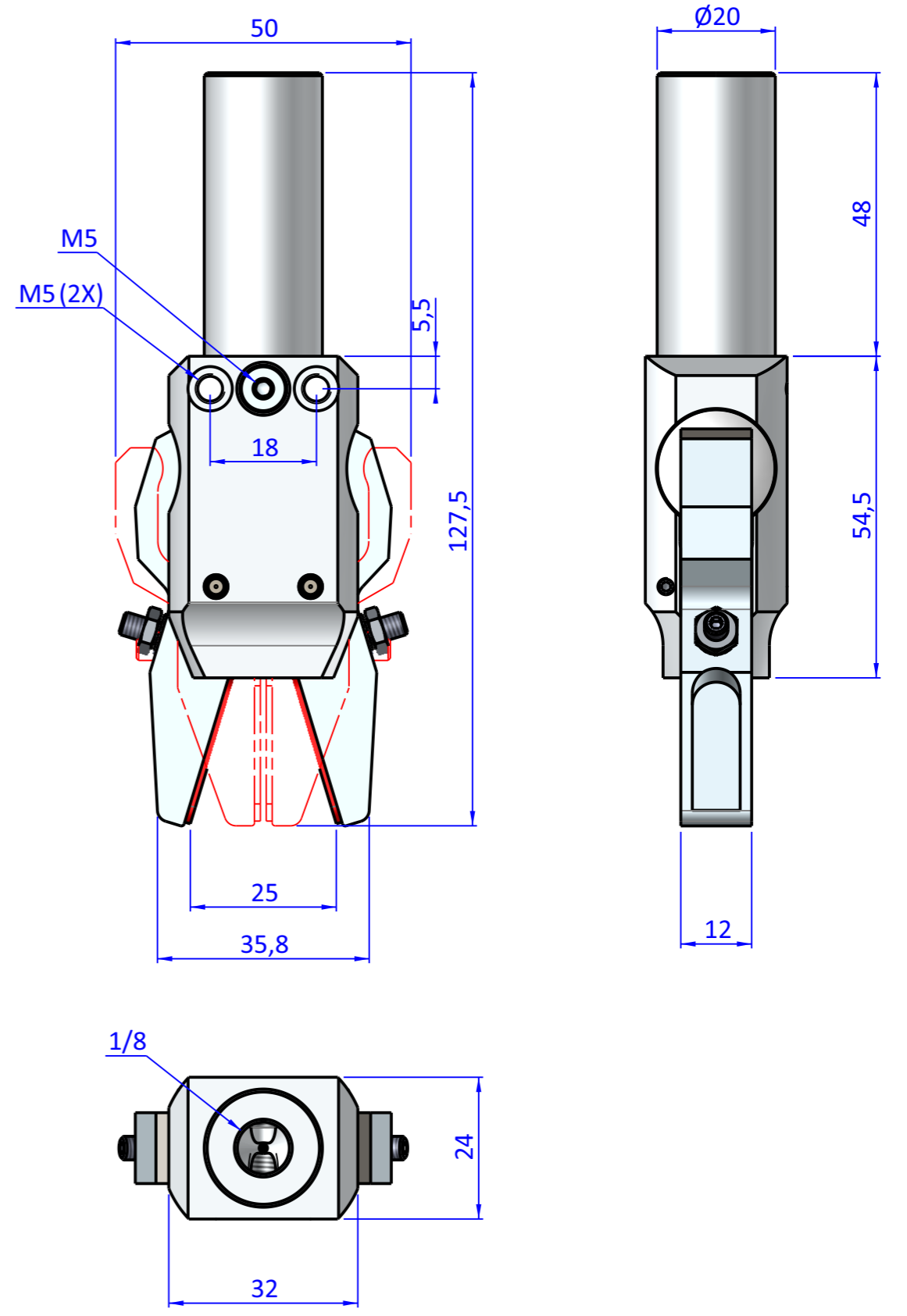
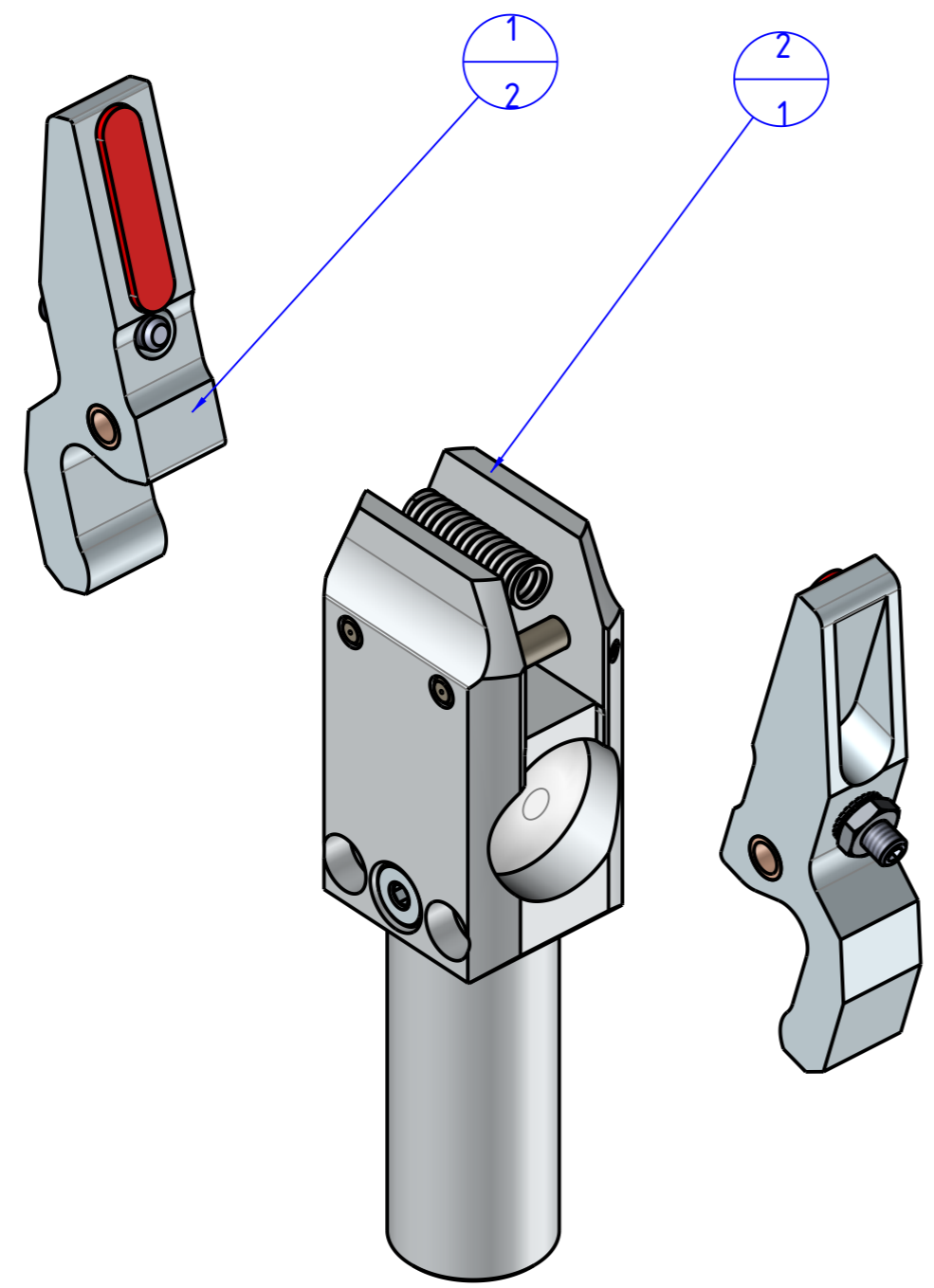

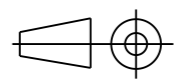


THE PROPERTY OF THE DRAWING IS ESTABLISHED BY LAW. IT IS FORBIDDEN TO PRODUCE OR SHOW IT TO THIRD PART - WITHOUT A WRITTEN AGREEMENT.

Item	Name	Qty.
1	GTS.04.17	2
2	GTS.04.G18	1



Format A3
UNI 936-76

 FPS FPSERVICES AUTOMATION			DESIGNED FROM FPS Automation	REVIEW A
GENERAL TOLERANCE UNI - ISO 2768 CLASSE f	DESCRIPTION CA.GTS.1004.1717	DATE 21/09/2021	WEIGHT 0,136kg	CODE CA.GTS.1004.1717